

# 3800 Series Surface Mount Enclosures

## For 3700 Series 4C Front Loading Recessed Mounted Horizontal Mailboxes Installation Instructions

With its high quality design and construction, Salsbury's 3800 series 4C horizontal mailbox surface mount enclosure will provide years of maintenance free service. **Please read this entire document before beginning installation.**

**WARNING: Installation of the 4C enclosure and mailbox unit must be to a surface of sufficient load bearing strength. Attachment of the enclosure to the surface must be with fasteners that can adequately support the weight of the enclosure and mailbox unit. Installing to a deficient load bearing mounting surface and/or use of inadequate fasteners could cause the 4C enclosure and mailbox unit to fall from the surface possibly resulting in serious injury. See below for further information.**

### Installation Planning

1. Determine the horizontal location of each of the 3700 series mailbox units with its 3800 series wall mount enclosure.
2. Consider the combined weights in the table below when designing the wall or selecting the appropriate fasteners and anchors to be used.
3. If attaching to studs in a custom built wall, determine the optimum location of the wall studs to which to fasten the enclosures. Frame the wall with wood studs. Build a robust wall.
4. If attaching to studs in an existing wall, determine the stud locations, and position enclosures to maximize the number of studs to which the enclosures will be attached.
5. If not attaching to studs, choose an appropriate high strength anchor, especially if attaching directly to drywall. When attaching to drywall, place the anchor and fastener as close as possible to the studs to which the drywall is attached.

### Weight of Mailbox Unit and Wall Enclosure

Enclosure Model	Total Weight - Lbs.	Enclosure Model	Total Weight - Lbs.
3816D	305	3816S	210
3815D	285	3815S	195
3813D	260	3813S	175
3811D	240	3811S	150
3809D	200	3809S	135
3807D	160	3807S	110
3805D	125	3805S	80
3803D	100	3803S	65

The weights above include the mailbox unit, the wall mount enclosure, and from 15 to 75 lbs of mail depending on the size of the mailbox unit.

### USPS Height Regulations

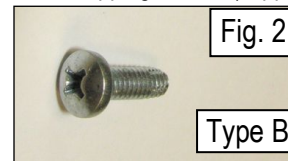
1. The USPS arrow lock in the Carrier Access Door shall be located between 36" and 48" above the finished floor (AFF).
2. No tenant mailbox lock shall be located more than 67" AFF.
3. No tenant mailbox compartment (interior bottom shelf surface) shall be positioned less than 28" AFF.
4. No parcel locker compartment (interior bottom shelf) shall be positioned less than 15" AFF.
5. At least one tenant mailbox compartment shall be positioned less than 48" AFF.

### Types of Fasteners Used

Type A, Fig. 1 - If fastening into wood studs, use a #12x2" wood screw (not supplied). If fastening into metal studs or directly into dry wall, choose and use an appropriate wall anchor with screw.



Type B, Fig. 2 - To fasten the mailbox unit into the enclosure, use the #8x3/4" pan head self-tapping screws (supplied).



### Marking Distance from Floor and Stud Location

Mark the wall with a horizontal line representing the distance from the floor to the bottom surface of the enclosure. The distance from the bottom surface of the enclosure to the surface of the lowest compartment shelf or the parcel locker shelf is 2-7/16". The distance from the bottom surface of the enclosure to the floor may be derived from the USPS Height Regulations above. Pay particular attention to the height limitations for the USPS Arrow Lock in the Carrier Access Door.

It is recommended that the enclosure be tied to studs due to its significant total weight including the mailbox unit. If attaching to studs, mark the wall with two (2) vertical lines representing two (2) wall studs to which the enclosure will be fastened.

If not attaching to studs, install appropriately strong anchors and fasteners to engage the outermost slots in the rows of slots in the rear panel.

## SALSBURY INDUSTRIES

18300 Central Avenue, Carson, CA 90746-4008

Ph: 1-800-624-5269

Int'l Ph: 323-846-6700

Fx: 1-800-624-5299

Int'l Fx: 323-846-6800

www.mailboxes.com

engineering@mailboxes.com

# 3800 Series Surface Mount Enclosures

## For 3700 Series 4C Front Loading Recessed Mounted Horizontal Mailboxes Installation Instructions

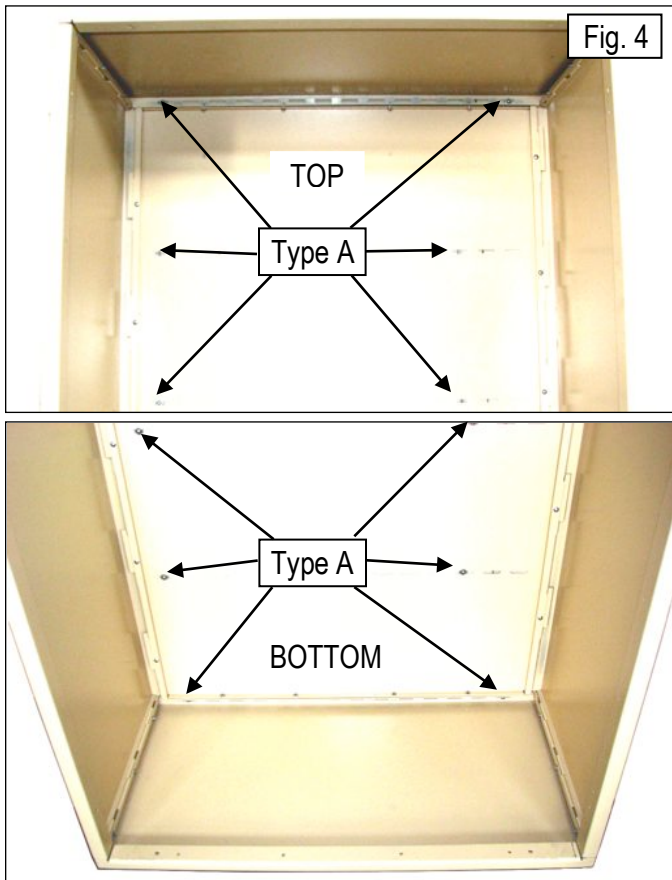
### Installing the Wall Fasteners

Install Type A wood screws, Fig. 3 (or anchors and fasteners) into all of the outermost slots (or slots engaging wood studs) in the rear panel. Install two (2) of the Type A wood screws, not provided, (or anchors and fasteners, not provided) in the rear flange of the top panel and in the rear flange of the bottom panel so that the four (4) screws go through the elongated slots in the rear flanges and into the wood studs. See the "Screw Locations", Fig. 4.



### Screw Locations

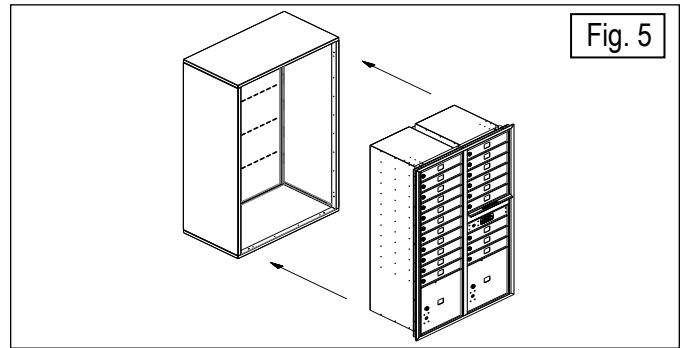
Fig. 4 identifies the locations of the Type A fasteners that are used to attach the enclosure to the wall studs.



### Installing the Mailbox Unit

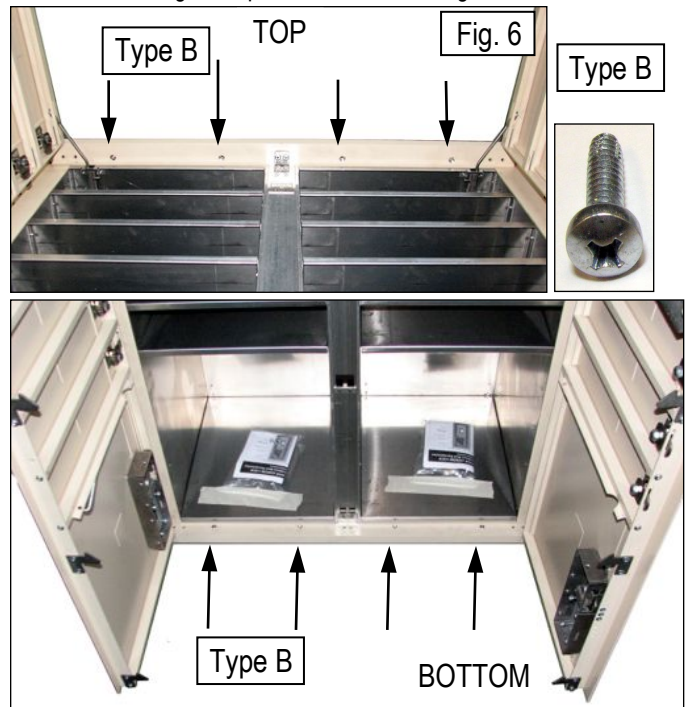
Lifting and installing the mailbox unit into the enclosure is a two (2) person operation. Open appropriate compartment doors to provide handholds. Lift the mailbox unit and carefully slide it into the

enclosure until the front peripheral flange is flush against the front flanges of the enclosure. See Fig. 5.



### Fastening the Mailbox Unit to the Enclosure

Open the master door(s) of the mailbox unit until the hold-open rods at the top inside corners of the doors engage. Install Type B self-tapping machine screws (provided) in the flanges all around the four (4) sides of the mailbox unit just behind the master door(s). See the following illustrations to locate the flanges. Pilot holes are provided for the screws in the flanges. The double column mailbox unit shown uses four (4) screws each along the top and bottom flanges. The single column mailbox unit (not shown) uses only two (2) screws each along the top and bottom. See Fig. 6.



## SALSBURY INDUSTRIES

18300 Central Avenue, Carson, CA 90746-4008

Ph: 1-800-624-5269

Int'l Ph: 323-846-6700

Fx: 1-800-624-5299

Int'l Fx: 323-846-6800

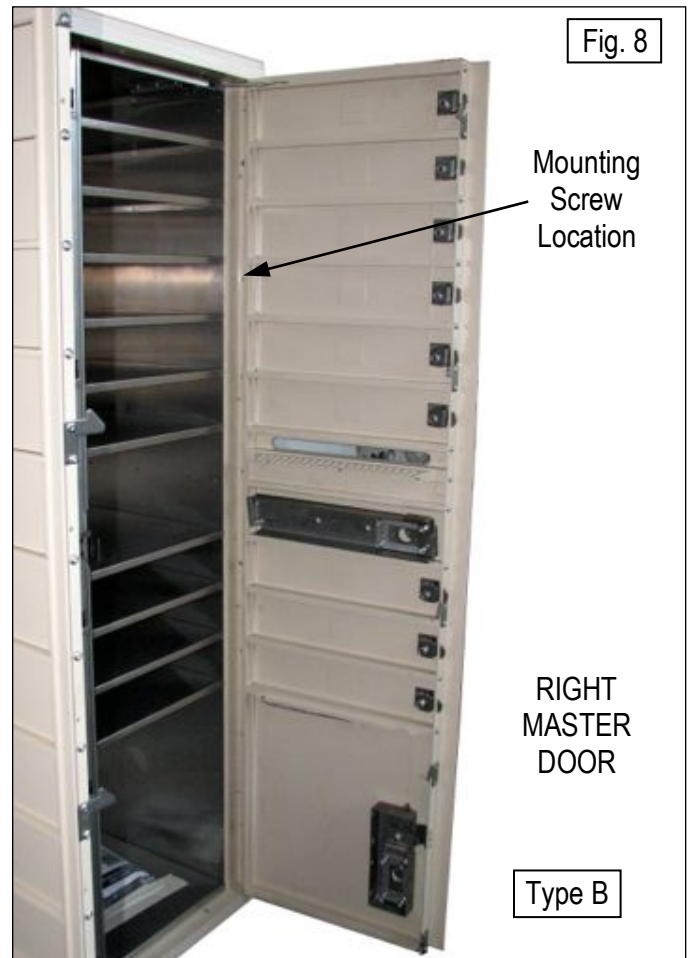
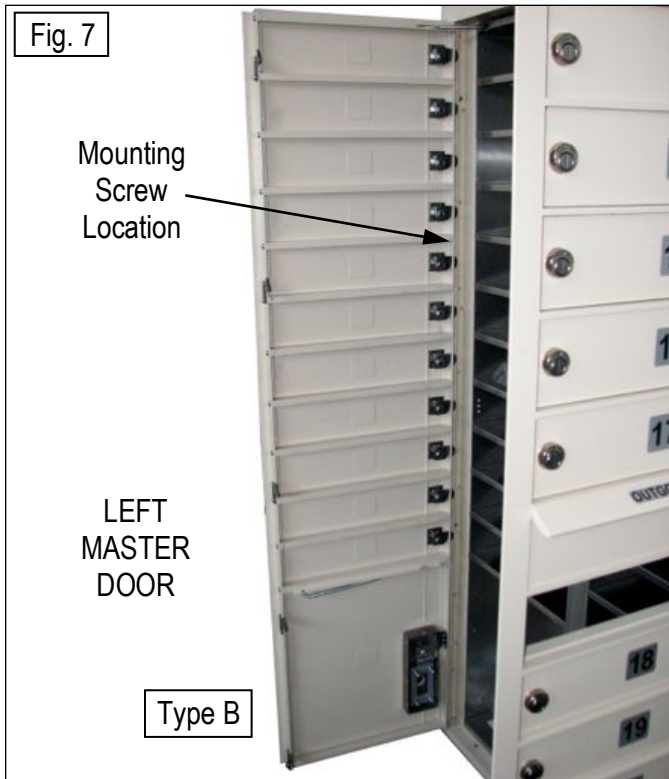
www.mailboxes.com

engineering@mailboxes.com

# 3800 Series Surface Mount Enclosures

## For 3700 Series 4C Front Loading Recessed Mounted Horizontal Mailboxes Installation Instructions

The vertical flanges along the two (2) sides of the mailbox unit use variable quantities of screws depending on the height of the enclosure. The largest height enclosure is shown and uses seven (7) screws (provided) on each side. There should be a screw installed in each slotted hole. See Fig. 7 and Fig. 8.



**Completed Installation:** Close and latch the master door(s) and all compartment doors.



### SALSBURY INDUSTRIES

18300 Central Avenue, Carson, CA 90746-4008

Ph: 1-800-624-5269

Int'l Ph: 323-846-6700

Fx: 1-800-624-5299

Int'l Fx: 323-846-6800

[www.mailboxes.com](http://www.mailboxes.com)

[engineering@mailboxes.com](mailto:engineering@mailboxes.com)